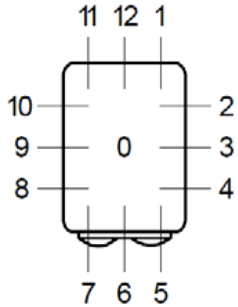


TRANSDUCER SIGNAL PORT LOCATION KEY

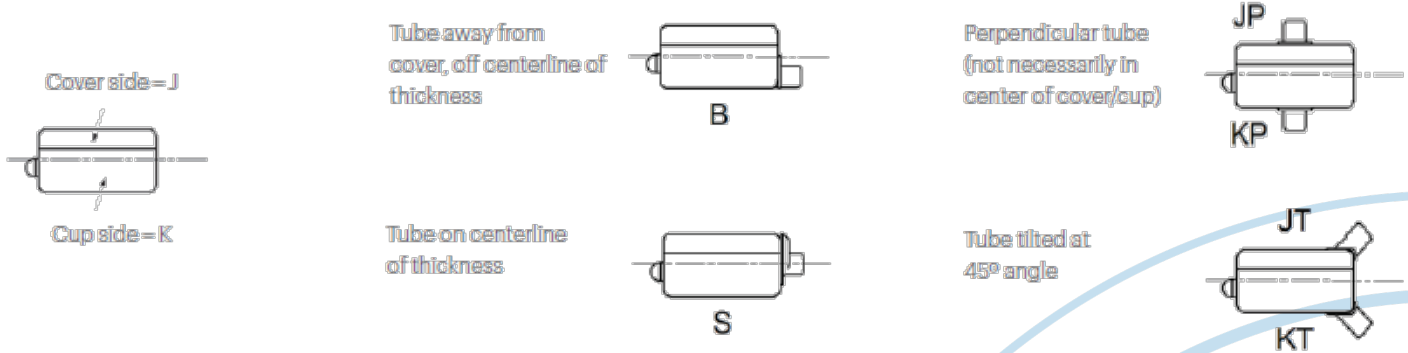


The Signal Port Location Key compares the transducer case to a clock face and identifies the signal port locations with the hour hand positions of that clock. A tubed acoustic port is implied unless otherwise specified.

The transducer case consists of two parts, a bottom cup with terminals mounted to it and a top cover. If the transducer is viewed looking down at the cover with the middle of the terminal board at 6 o'clock, the signal port locations are as shown as pictured. The "0" position is at the center of the clock dial.

When combined with the below listed "Port Detail Codes", this forms the alpha-numeric Signal Port Location nomenclature, e.g., 12B port, 3S port, 0KP port, etc., used throughout the Knowles transducer data sheets

THE FOLLOWING LETTER CODES ARE DEFINED FOR ADDITIONAL INFORMATION ON PORT LOCATION:



PORT DETAIL CODES

- a = "Salt shaker" port (multiple small openings in cup or cover)
- B = Tube away from cover
- C = Tube near cover
- L = Large diameter tube
- m = Microtube
- n = No tube
- P = Tube perpendicular to large surface of cup or cover
- S = Tube on centerline
- T = Tube tilted 45° from cup or cover
- y = Port with special location

DIRECTIONAL MICROPHONES:


1st code is for front port, 2nd code is for rear port.

EXCEPTIONS:


Products which do not follow the standard Transducer Signal Port Location nomenclature are addressed on an individual basis.



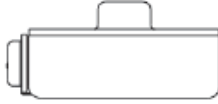
SIGNAL PORT LOCATION EXAMPLES



TO microphone
with 12S port




TO microphone
with 12n port




TO microphone
with OJP port

Transducers in the same family can have a variety of signal port locations, sizes, and styles.


Transducers in different families can have the same signal port location and style.



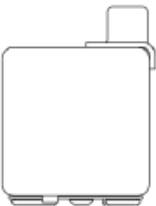
TO microphone
with 12S port




RAB receiver
with 12S port




RAD receiver
with 12S port

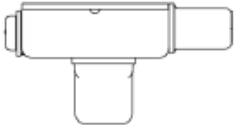


TO microphone
with 11C ports





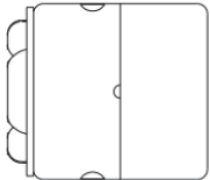
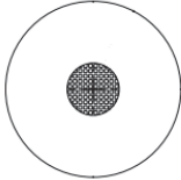
TD microphone
with 12C/12KP ports



Special port locations, styles, and sizes are also available for many transducer series.

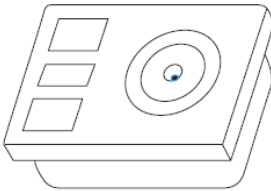
Exceptions: Some model series do not follow the above port description precisely due to their varied construction

Port labels apply to cylindrical-shaped transducers.

FG Microphone with 12N port

Signal port location for MEMS microphone



MEMS Microphone with 12JN port

Drawings on this page are not to scale

Revision History

Revision	Description	ECR	Date
A	Active	M10109995	03/11/24

